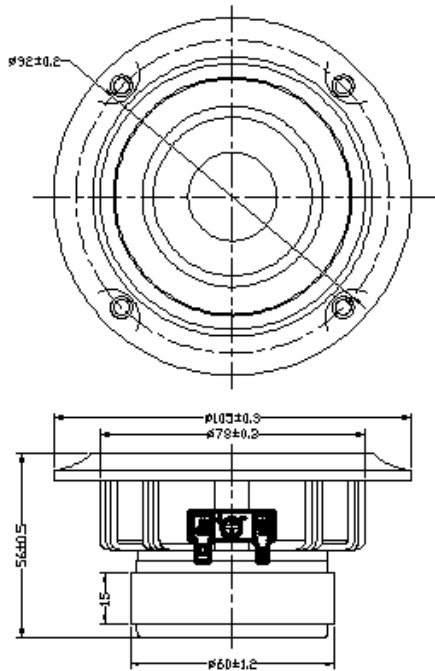


# Woofer

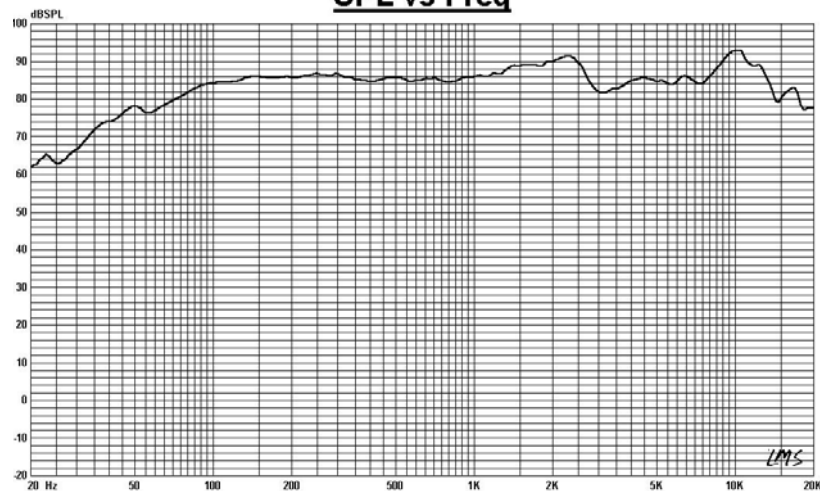
MODEL:FR104B6-11M



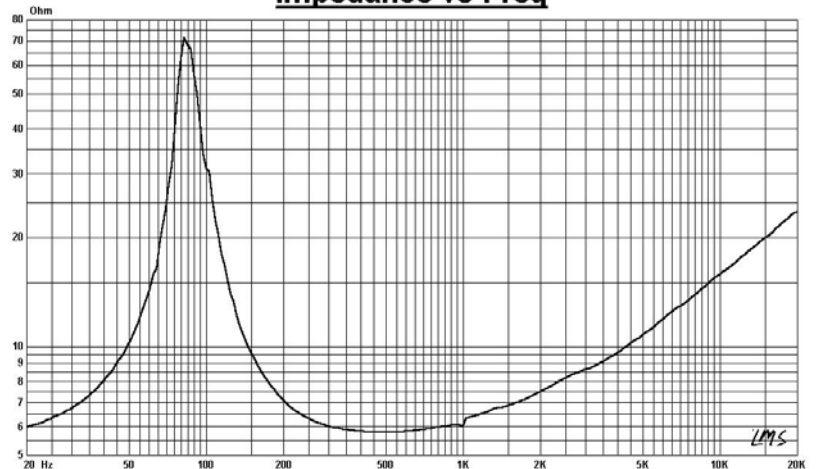
## Specifications & Thiele/Small Parameter

Impedance	: 6 Ohm	
Minimum Frequency Response	: 84 Hz	
Reproduction Frequency Response	: F <sub>0</sub> ~12K	
S.P.L.	: 85.032 dB/W(m)	
Rated Input	: 10 W	
Music Power	: 15 W	
Equivalent Diaphragm Radius	: 31 mm	
Equivalent Mass	: 3.154 g	
Magnet Weight	: 117 g	
Net Weight	: 500 g	
F <sub>s</sub>	: 84.874 Hz	
R <sub>e</sub>	: 5.0 Ohm	
M <sub>ms</sub>	: 3.448 g	
BL	: 4.581 TM	
Q <sub>ts</sub>	: 0.405	
Q <sub>ms</sub>	: 5.358	
Q <sub>es</sub>	: 0.438	
V <sub>as</sub>	: 1.483 Ltr	
X <sub>max</sub>	: 1.5 mm	
no	: 0.200%	
Material	Frame	: Cast
	Cone	: Wooden
	Surround	: RUBBER
	Damper	: CONEX (Hole)
	VC DIA	: 0.8" KAP 0.18 SV
Magnet	: $\phi 70 \times \phi 32 \times 15$	

**SPL vs Freq**



**Impedance vs Freq**



GUIDE-SOUND INDUSTRIES CO.,LTD

E-Mail: [Tsaichunchang@yahoo.com.tw](mailto:Tsaichunchang@yahoo.com.tw)

Welcome Inquiry&Orders For OEM&ODM