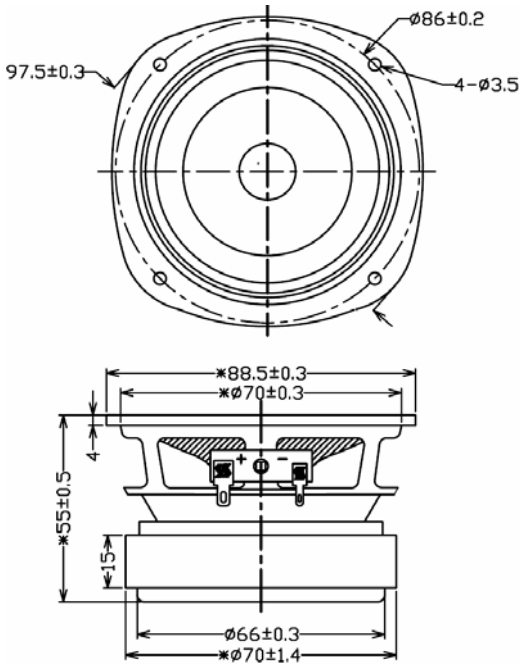


Woofers



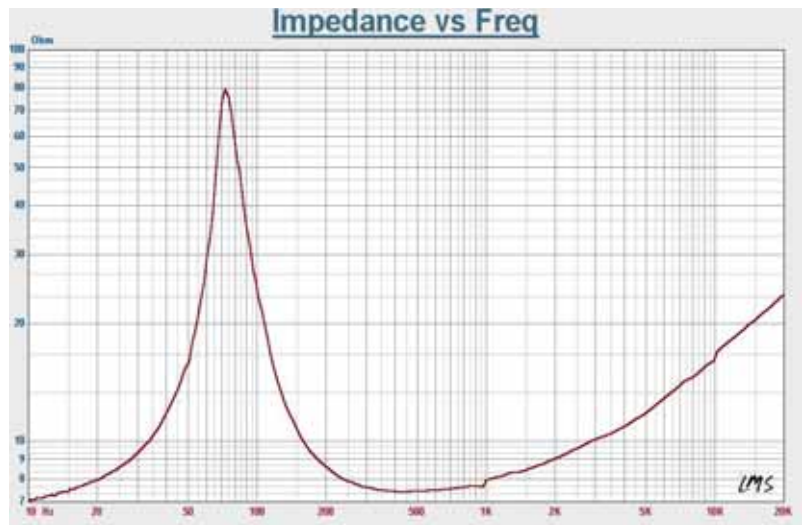
MODEL: FP89B8-14M



Specifications &

Thiele/Small Parameter

Impedance	: 8 Ohm
Minimum Frequency Response	: 75 Hz
Reproduction Frequency Response	: Fo~15K
S.P.L.	: 84.330 dB/W(m)
Rated Input	: 10 W
Music Power	: 15 W
Equivalent Diagram Radius	: 30 mm
Equivalent Mass	: 2.712 g
Magnet Weight	: 228 g
Net Weight	: 530 g
Fs	: 75.558 Hz
Re	: 6.80 Ohm
Mms	: 2.816 g
BL	: 4.024 TM
Qts	: 0.509
Qms	: 5.427
Qes	: 0.561
Vas	: 2.291 Ltr
Xmax	: 1.5 mm
no	: 0.170%
Material	Frame : Fe
	Cone : Wooden
	Surround : Rubber
	Damper : Conex (4Hole)
	VC DIA : $\phi 20.4$ KSV 0.16 CCAW (4Hole)
	Magnet : $\phi 70 \times \phi 32 \times 15$ Y30
	Short Ring : Cu Ring
Center Cap : Dust Cap (Wooden)	



GUIDE-SOUND INDUSTRIES CO.,LTD

E-Mail: Tsaichunchang@yahoo.com.tw

Welcome Inquiry&Orders For OEM&ODM