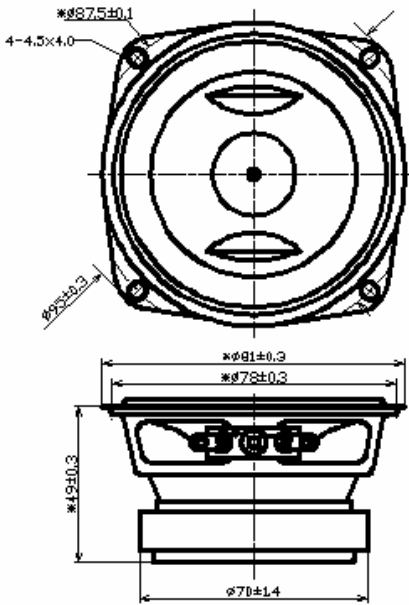
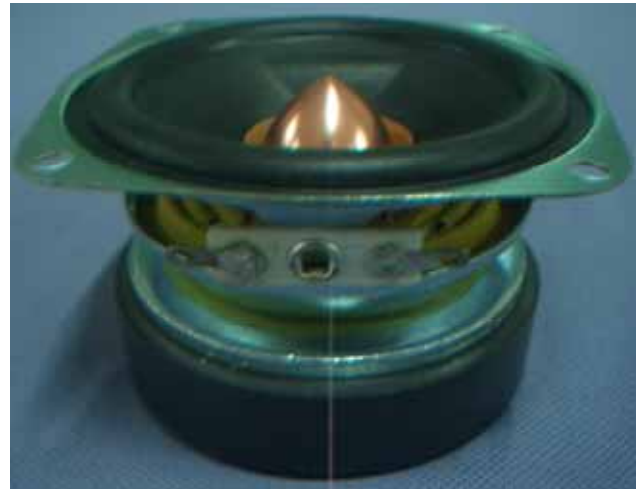


## RCG Cone



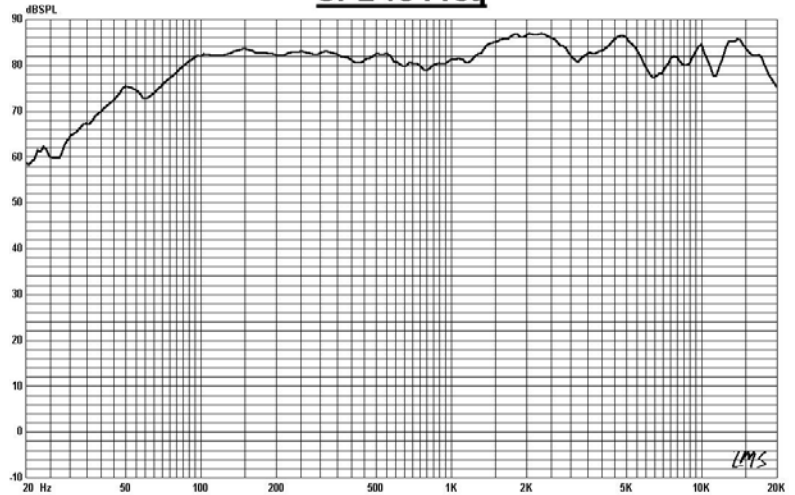
## MODEL: FP81W6-11M



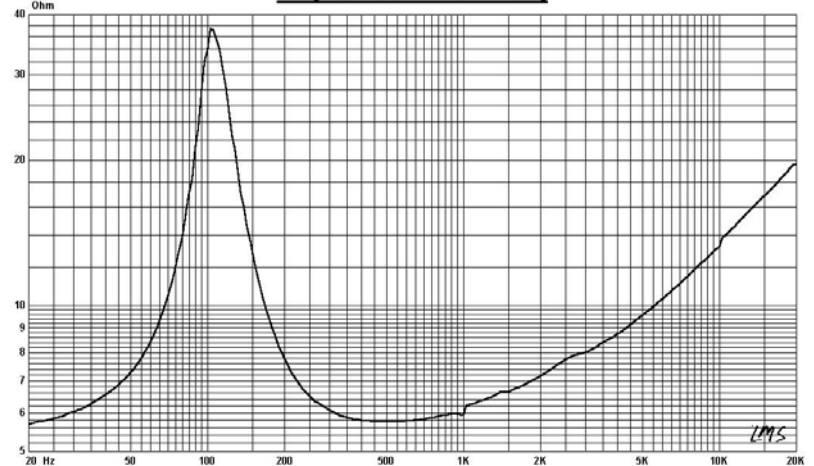
### Specifications & Thiele/Small Parameter

Impedance	: 6 Ohm
Minimum Frequency Response	: 107Hz
Reproduction Frequency Response	: Fo~16K
S.P.L.	: 86.078 dB/W(m)
Rated Input	: 15W
Music Power	: 20 W
Equivalent Diagram Radius	: 33 mm
Equivalent Mass	: 2.090 g
Magnet Weight	: 500g
Net Weight	: 420g
Fs	: 107.738Hz
Re	: 5.0 Ohm
Mms	: 2.194 g
BL	: 3.288 TM
Qts	: 0.588
Qms	: 4.102
Qes	: 0.687
Vas	: 1.446 Ltr
Xmax	: 2.6 mm
no	: 0.255%
Material	Frame : Fe
	Cone : Paper (RCG)
	Surround : Rubber
	Damper : Conex+Cotton (4Hole)
	VC DIA : 25.5 KSV 0.2 CCAW
Magnet	: $\Phi 70 \times \Phi 32 \times 15$ Y30

### SPL vs Freq



### Impedance vs Freq



GUIDE-SOUND INDUSTRIES CO.,LTD

E-Mail: [Tsaichunchang@yahoo.com.tw](mailto:Tsaichunchang@yahoo.com.tw)

Welcome Inquiry&Orders For OEM&ODM