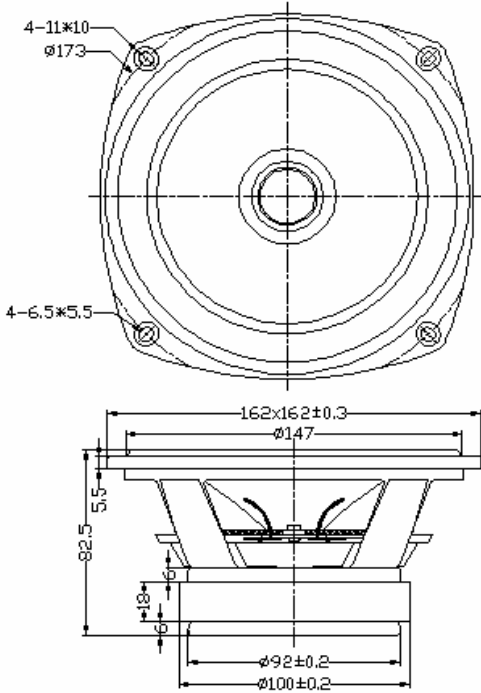


6.25" Woofer

Model :FP162B6-10M



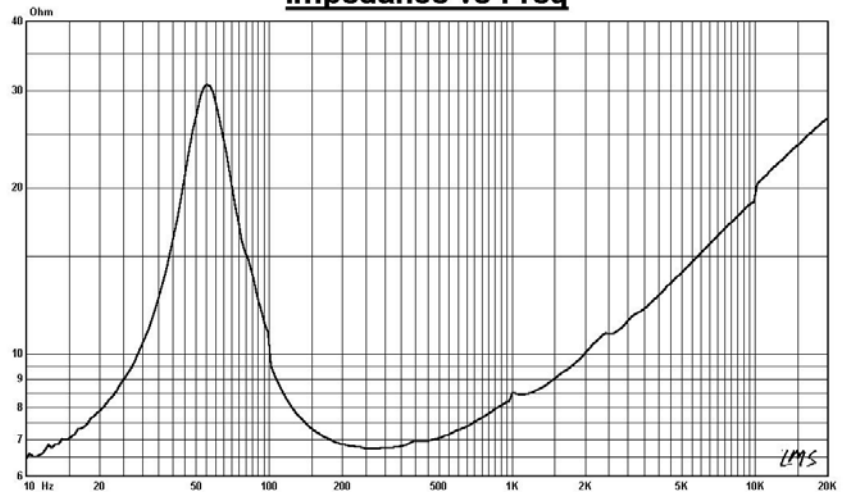
Specifications & Thiele/Small Parameters

| | |
|---------------------------------|----------------------|
| Impedance | : 6 Ohm |
| Minimum Frequency Response | : 56 Hz |
| Reproduction Frequency Response | : Fo~8K |
| S.P.L. | : 88.261 dB/W(m) |
| Rated Input | : 20 W |
| Music Power | : 30 W |
| Equivalent Diaphragm Radius | : 82.5 mm |
| Equivalent Mass | : 12.890 g |
| Magnet Weight | : 565 g |
| Net Weight | : 1820 g |
| Fs | : 56.206Hz |
| Re | : 6.0 Ohm |
| Mms | : 11.871 g |
| BL | : 6.217TM |
| Qts | : 0.520 |
| Qms | : 2.580 |
| Qes | : 0.651 |
| Vas | : 15.960 Ltr |
| Xmax | : 2.75 mm |
| no | : 0.421% |
| Material | Frame : Cast |
| | Cone : Yellow Kevlar |
| | Surround : RUBBER |
| | Damper : CONEX |
| | VC DIA : 1" |
| Magnet | : 19.9 oz |

SPL vs Freq



Impedance vs Freq



GUIDE-SOUND INDUSTRIES CO.,LTD
 E-Mail: Tsaichunchang@yahoo.com.tw
 Welcome Inquiry&Orders For OEM&ODM