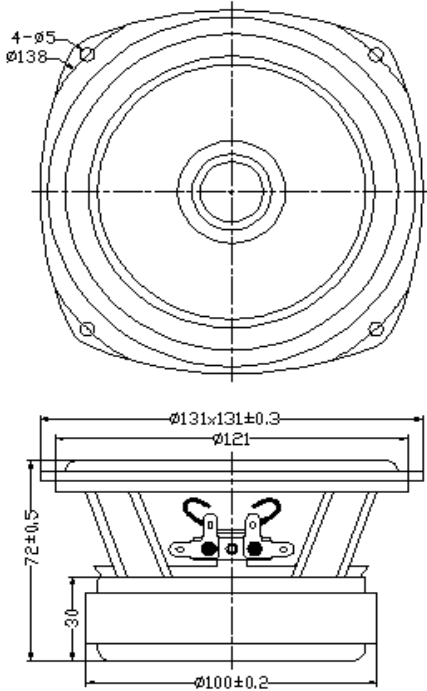


# 5.25" Woofer

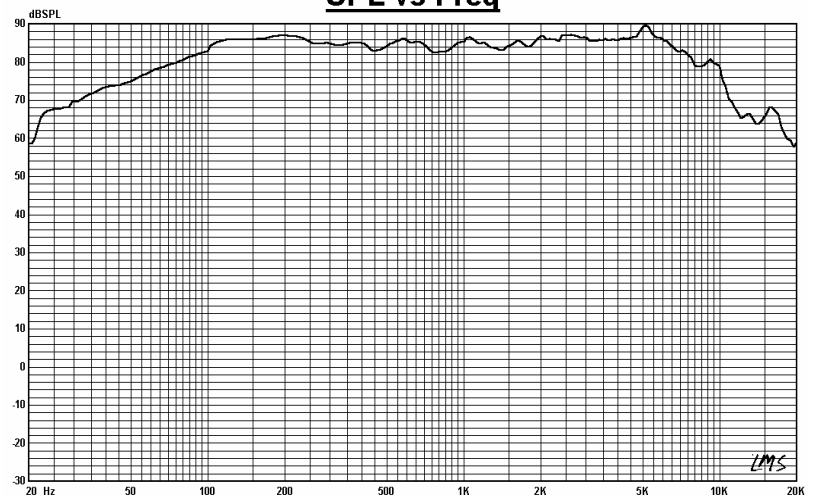
Model :FP131B6-10M



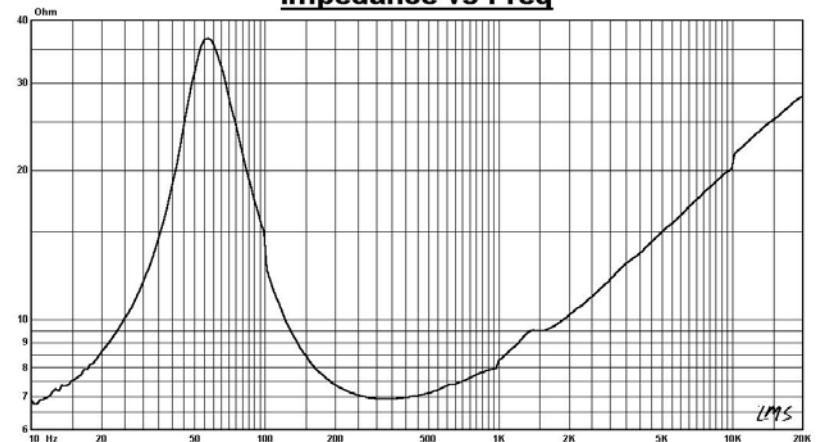
## Specifications & Thiele/Small Parameters

|                                 |                      |
|---------------------------------|----------------------|
| Impedance                       | : 6 Ohm              |
| Minimum Frequency Response      | : 58 Hz              |
| Reproduction Frequency Response | : Fo~9K              |
| S.P.L.                          | : 88.825 dB/W(m)     |
| Rated Input                     | : 10 W               |
| Music Power                     | : 20 W               |
| Equivalent Diaphragm Radius     | : 72 mm              |
| Equivalent Mass                 | : 12.890 g           |
| Magnet Weight                   | : 565 g              |
| Net Weight                      | : 1780 g             |
| Fs                              | : 58.805Hz           |
| Re                              | : 6.0 Ohm            |
| Mms                             | : 8.111 g            |
| BL                              | : 6.155TM            |
| Qts                             | : 0.396              |
| Qms                             | : 2.379              |
| Qes                             | : 0.475              |
| Vas                             | : 11.573 Ltr         |
| Xmax                            | : 2.75mm             |
| no                              | : 0.479%             |
| Material                        | Frame : Cast         |
|                                 | Cone : Yellow Kevlar |
|                                 | Surround : RUBBER    |
|                                 | Damper : CONEX       |
|                                 | VC DIA : 1.0"        |
|                                 | Magnet : 19.9 oz     |

SPL vs Freq



Impedance vs Freq



GUIDE-SOUND INDUSTRIES CO.,LTD  
 E-Mail: Tsaichunchang@yahoo.com.tw  
 Welcome Inquiry&Orders For OEM&ODM