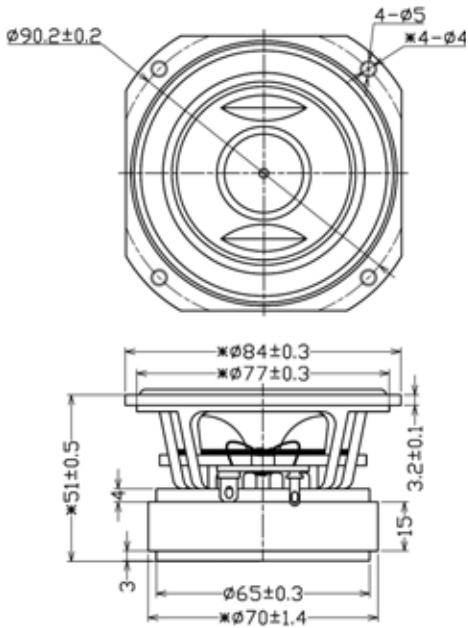


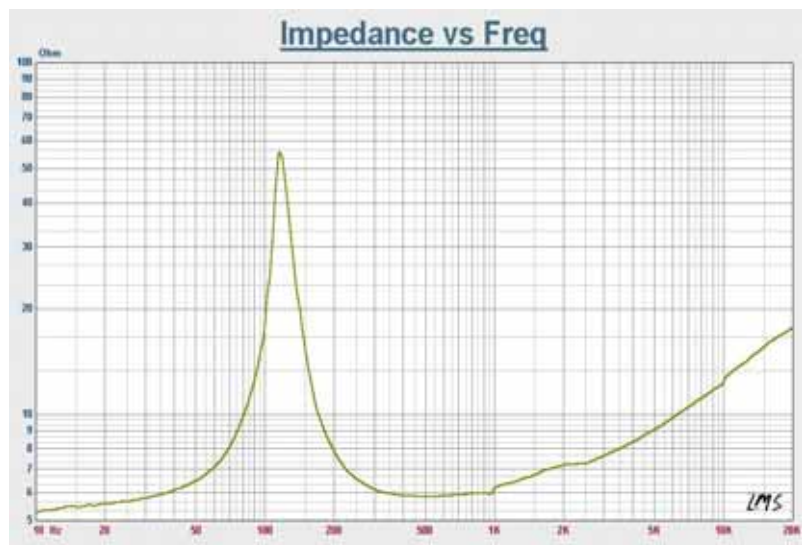
RCG Cone

Model :FB84B6-16F



Specifications & Thiele/Small Parameters

Impedance	: 6 Ohm	
Minimum Frequency Response	: 119 Hz	
Reproduction Frequency Response	: F ₀ ~17 KHz	
S.P.L.	: 85.691 dB/W(m)	
Rated Input	: 15 W	
Music Power	: 25 W	
Equivalent Diagram Radius	: 34mm	
Equivalent Mass	: 2.151g	
Magnet Weight	: 200 g	
Net Weight	: 550 g	
F _s	: 119.585 Hz	
R _e	: 5.0 Ohm	
M _{ms}	: 2.255 g	
BL	: 3.232 TM	
Q _{ts}	: 0.724	
Q _{ms}	: 6.788	
Q _{es}	: 0.811	
V _{as}	: 1.142 Ltr	
X _{max}	: 2.5 mm	
no	: 0.233%	
Material	Frame	: Cast
	Cone	: Paper (RCG)
	Surround	: Rubber
	Damper	: Conex+Cotton (4Hole)
	VC DIA	: $\phi 25.5$ KSV 0.2 CCAW
	Magnet	: $\phi 70 \times \phi 32 \times 15$ Y30
	Short Ring	: Cu Ring
Center Cap	: AL Phase Plug (Gold)	



GUIDE-SOUND INDUSTRIES CO.,LTD

E-Mail: Tsaichunchang@yahoo.com.tw

Welcome Inquiry&Orders For OEM&ODM