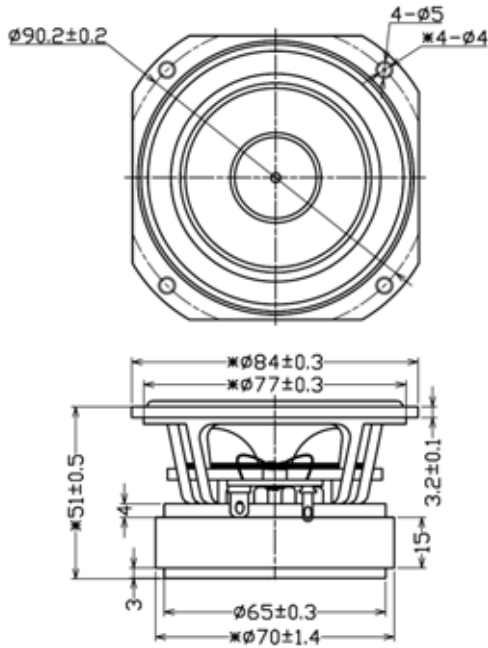
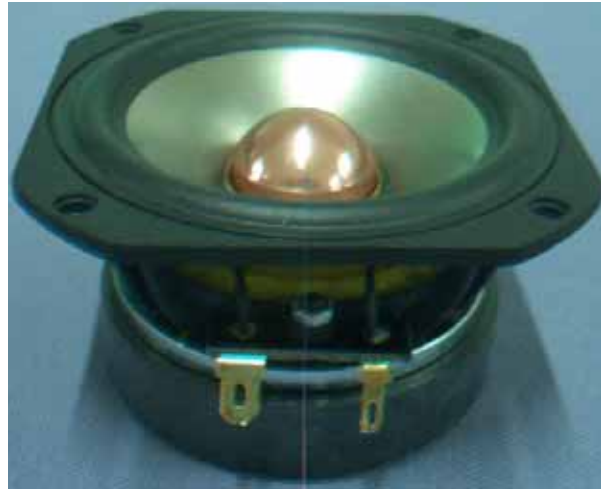


Full Range



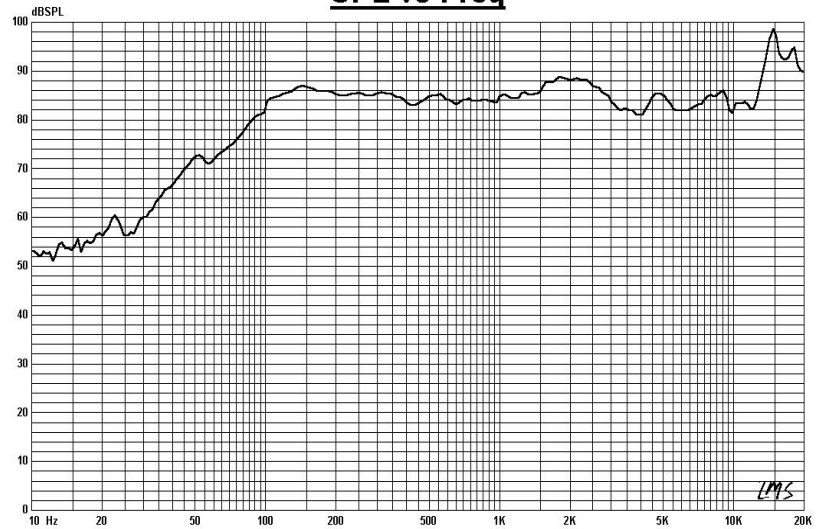
Model :FB84B6-15F



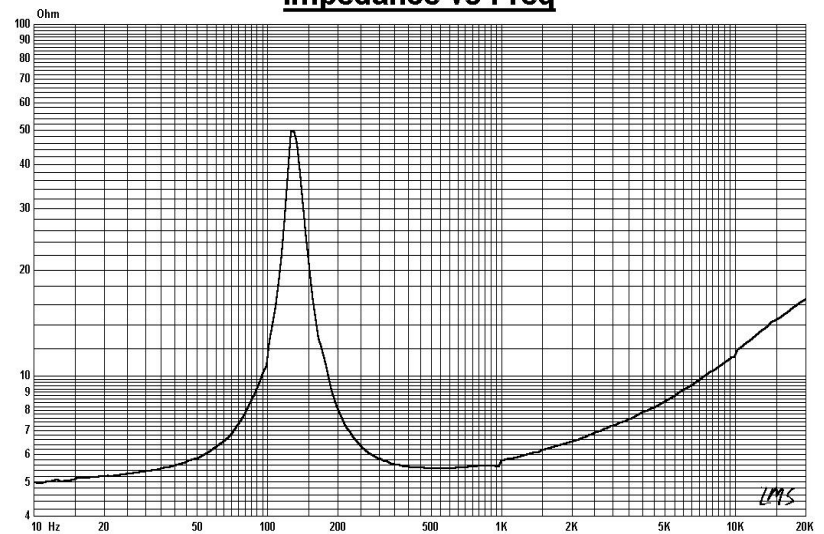
Specifications & Thiele/Small Parameters

Impedance	: 6 Ohm	
Minimum Frequency Response	: 131Hz	
Reproduction Frequency Response	: Fo~20 KHz	
S.P.L.	: 84.816 dB/W(m)	
Rated Input	: 15 W	
Music Power	: 25 W	
Equivalent Diagram Radius	: 34mm	
Equivalent Mass	: 2.607g	
Magnet Weight	: 200 g	
Net Weight	: 550 g	
Fs	: 131.115 Hz	
Re	: 5.0 Ohm	
Mms	: 2.711 g	
BL	: 3.478 TM	
Qts	: 0.805	
Qms	: 7.343	
Qes	: 0.905	
Vas	: 0.79 Ltr	
Xmax	: 2.5 mm	
no	: 0.190%	
Material	Frame	: Cast
	Cone	: Titanium
	Surround	: Rubber
	Damper	: Conex+Cotton (4Hole)
	VC DIA CBC	: $\Phi 25$ KSV 0.2 CCAW
	Magnet	: $\Phi 70 \times \Phi 32 \times 15$ Y30
	Short Ring	: Cu Ring
	Center Cap	: AL Phase Plug (Gold)

SPL vs Freq



Impedance vs Freq



GUIDE-SOUND INDUSTRIES CO.,LTD

E-Mail: Tsaichunchang@yahoo.com.tw

Welcome Inquiry&Orders For OEM&ODM