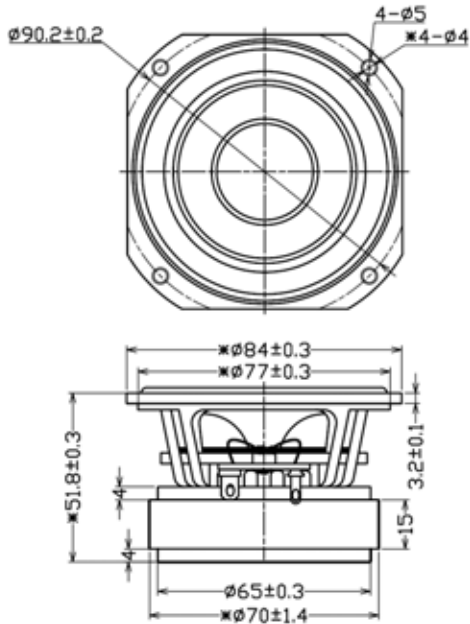


AL Cone

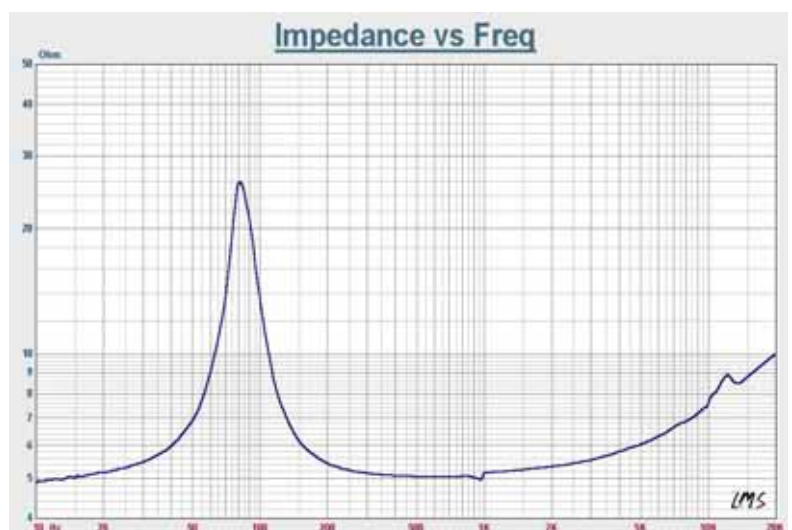


Model :FB84B6-14F



Specifications & Thiele/Small Parameters

Impedance	: 6 Ohm	
Minimum Frequency Response	: 83 Hz	
Reproduction Frequency Response	: Fo~20 KHz	
S.P.L.	: 88.857 dB/W(m)	
Rated Input	: 10 W	
Music Power	: 15 W	
Equivalent Diagram Radius	: 34mm	
Equivalent Mass	: 2.189g	
Magnet Weight	: 190 g	
Net Weight	: 540 g	
Fs	: 83.282 Hz	
Re	: 4.8 Ohm	
Mms	: 2.511 g	
BL	: 2.390 TM	
Qts	: 0.884	
Qms	: 4.418	
Qes	: 1.105	
Vas	: 9.549 Ltr	
Xmax	: 0.5 mm	
no	: 0.483%	
Material	Frame	: Cast
	Cone	: AL
	Surround	: Rubber
	Damper	: Conex
	VC DIA	: $\Phi 20$ KAP 0.11 SV (4Hole)
	Magnet	: $\Phi 70 \times \Phi 24 \times 15$ Y30
	Short Ring	: Cu Ring
Sub Cone	: Dust Cap (P.P)	



GUIDE-SOUND INDUSTRIES CO.,LTD

E-Mail: Tsaichunchang@yahoo.com.tw

Welcome Inquiry&Orders For OEM&ODM