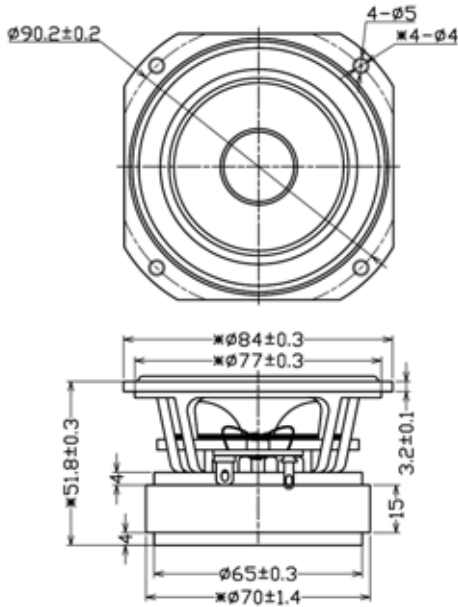


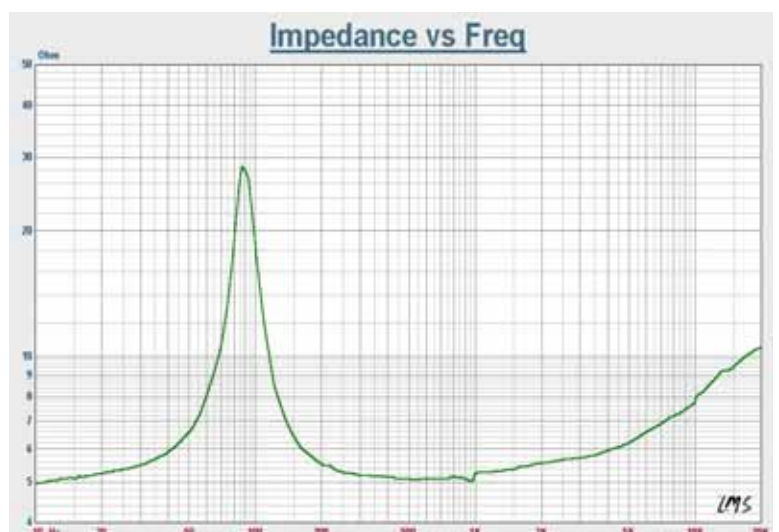
P.P. Cone

Model :FB84B6-13F



Specifications & Thiele/Small Parameters

Impedance	: 6 Ohm	
Minimum Frequency Response	: 89 Hz	
Reproduction Frequency Response	: Fo~20 KHz	
S.P.L.	: 89.014 dB/W(m)	
Rated Input	: 10 W	
Music Power	: 15 W	
Equivalent Diagram Radius	: 34mm	
Equivalent Mass	: 2.156g	
Magnet Weight	: 190g	
Net Weight	: 540 g	
Fs	: 89.459 Hz	
Re	: 4.8 Ohm	
Mms	: 2.479 g	
BL	: 2.402 TM	
Qts	: 0.942	
Qms	: 5.025	
Qes	: 1.159	
Vas	: 8.385 Ltr	
Xmax	: 0.5 mm	
no	: 0.501%	
Material	Frame	: Cast
	Cone	: P.P.
	Surround	: Rubber
	Damper	: Conex
	VC DIA	: $\phi 20$ KAP 0.11 SV (4Hole)
	Magnet	: $\phi 70 \times \phi 24 \times 15$ Y30
	Short Ring	: Cu Ring
Sub Cone	: Dust Cap (Black)	



GUIDE-SOUND INDUSTRIES CO.,LTD

E-Mail: Tsaichunchang@yahoo.com.tw

Welcome Inquiry&Orders For OEM&ODM