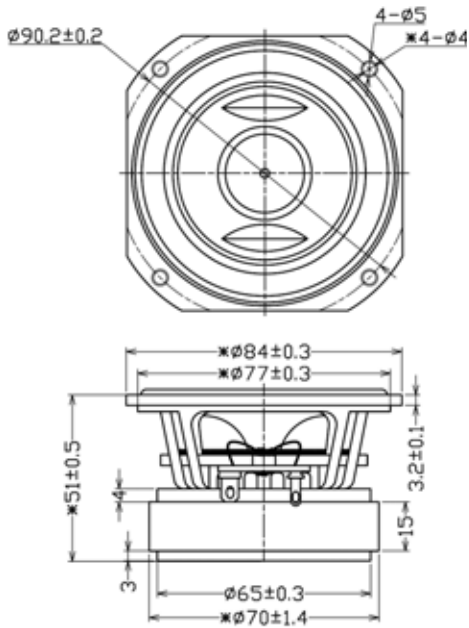


**RCG Cone  
CBC Voice Coil**

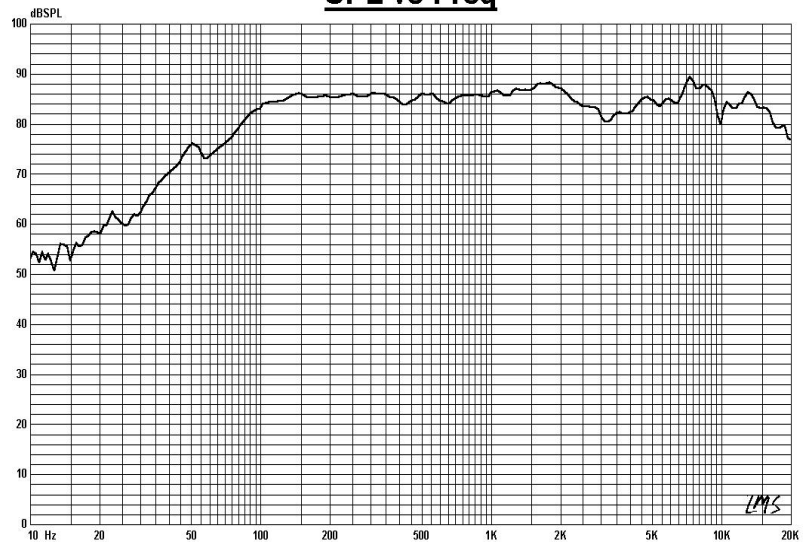
**Model :FB84B6-11F**



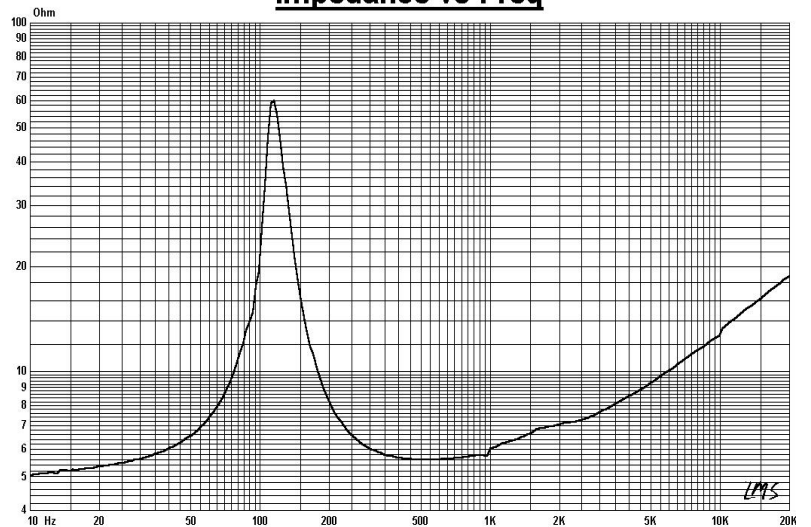
**Specifications  
&  
Thiele/Small Parameters**

Impedance	: 6 Ohm
Minimum Frequency Response	: 118 Hz
Reproduction Frequency Response	: Fo~17 KHz
S.P.L.	: 86.316 dB/W(m)
Rated Input	: 15 W
Music Power	: 25 W
Equivalent Diaphragm Radius	: 34mm
Equivalent Mass	: 2.096g
Magnet Weight	: 200 g
Net Weight	: 550 g
Fs	: 118.214 Hz
Re	: 5.0 Ohm
Mms	: 2.201 g
BL	: 3.390 TM
Qts	: 0.644
Qms	: 6.830
Qes	: 0.711
Vas	: 1.198 Ltr
Xmax	: 2.5 mm
no	: 0.269%
Material	Frame : Cast
	Cone : Paper (RCG)
	Surround : Rubber
	Damper : Conex+Cotton (4Hole)
	VC DIA : $\Phi 25.5$ KSV 0.2 CCAW (CBC)
	Magnet : $\Phi 70 \times \Phi 32 \times 15$ Y30
	Short Ring : Cu Ring
Sub Cone : AL Phase Plug (Gold)	

**SPL vs Freq**



**Impedance vs Freq**



**GUIDE-SOUND INDUSTRIES CO.,LTD**

E-Mail: [Tsaichunchang@yahoo.com.tw](mailto:Tsaichunchang@yahoo.com.tw)

Welcome Inquiry&Orders For OEM&ODM