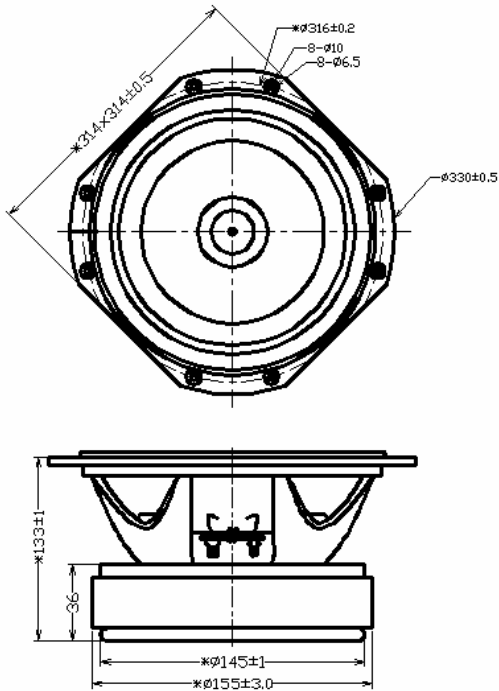


## Full Range

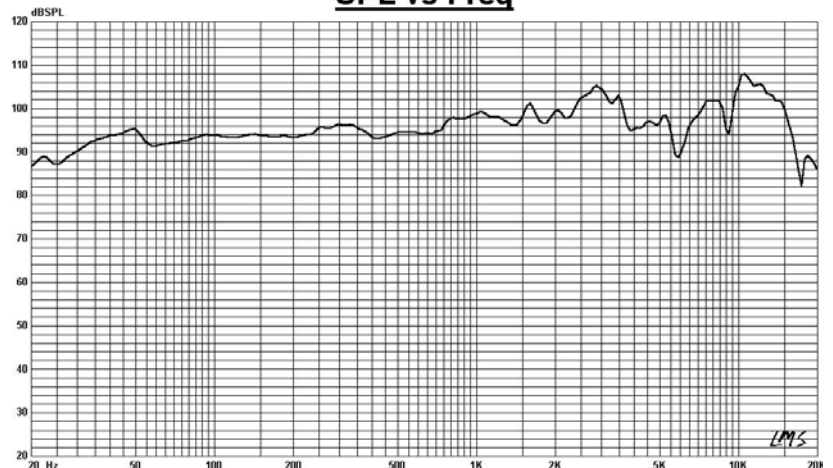
Model :FB330B8-19F



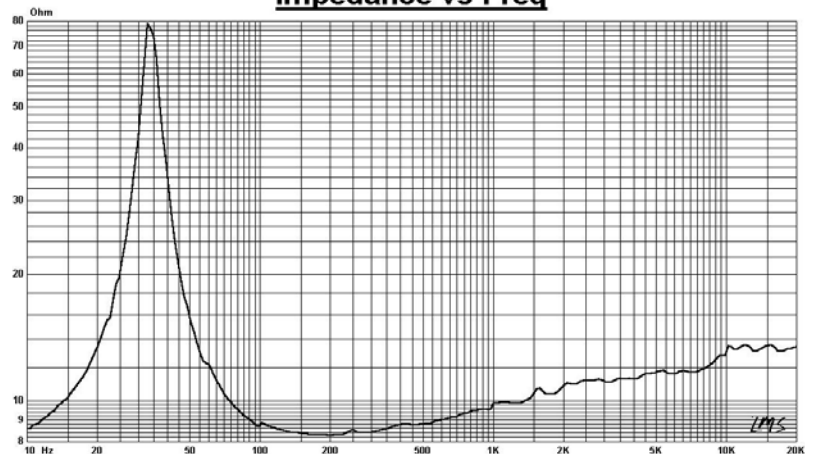
## Specifications & Thiele/Small Parameters

Impedance	: 8 Ohm
Minimum Frequency Response	: 34Hz
Reproduction Frequency Response	: Fo~20K
S.P.L.	: 94.36dB/W(m)
Rated Input	: 30W
Music Power	: 45 W
Equivalent Diagram Radius	: 136 mm
Equivalent Mass	: 10.180 g
Magnet Weight	: 1409 g
Net Weight	: 3948 g
Fs	: 34.099Hz
Re	: 7.2 Ohm
Mms	: 30.583 g
BL	: 8.356TM
Qts	: 0.609
Qms	: 6.150
Qes	: 0.676
Vas	: 302.645 Ltr
Xmax	: 1.0 mm
no	: 1.717%
Material	Frame : Cast
	Cone &Sub : Paper Coating
	Surround : FABRIC
	Damper : CONEX
	VC DIA : 1.5"
Magnet	: 49.7 OZ

**SPL vs Freq**



**Impedance vs Freq**



GUIDE-SOUND INDUSTRIES CO.,LTD

E-Mail: Tsaichunchang@yahoo.com.tw

Welcome Inquiry&Orders For OEM&ODM