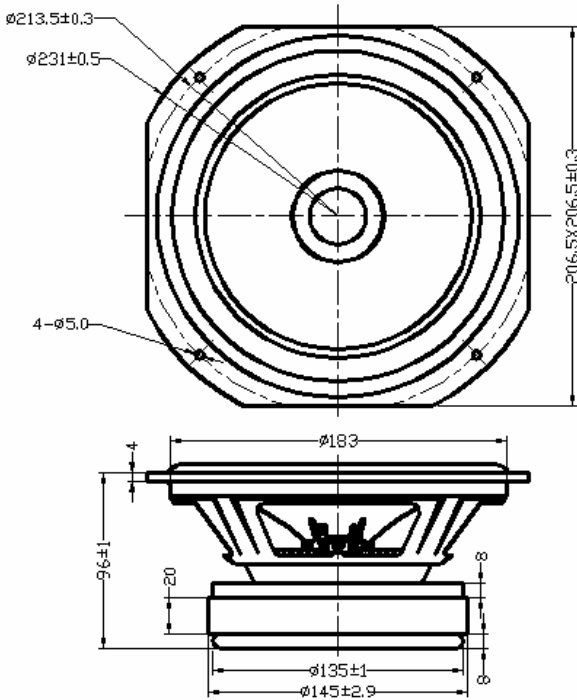


## 8" Full Range

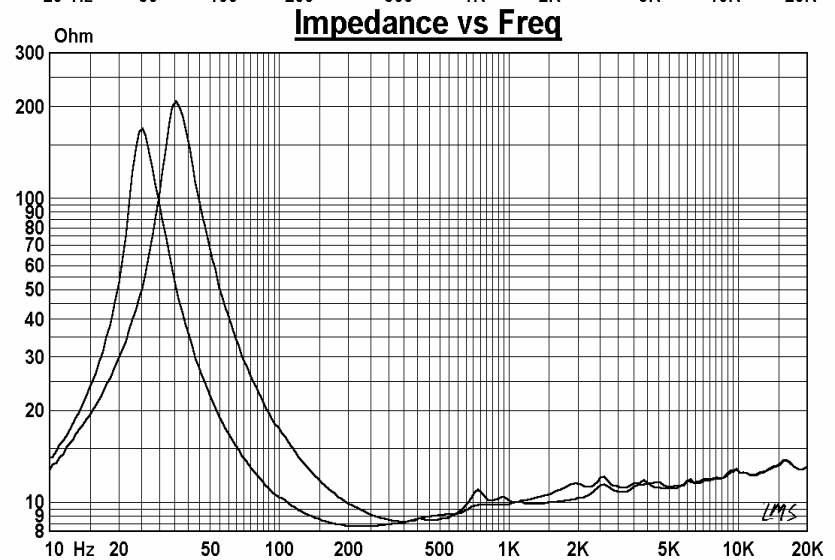
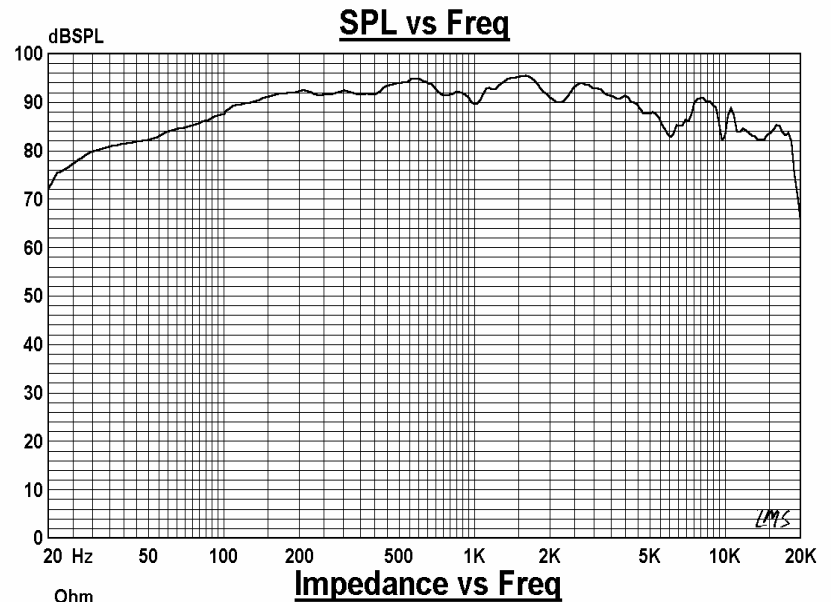


## FB208B8-22F



### & Thiele/Small Parameters

Impedance	: 8 Ohm
Minimum Frequency Response	: 37Hz
Reproduction Frequency Response	: Fo~18K
S.P.L.	: 97.5dB/W(m)
Rated Input	: 30 W
Music Power	: 50 W
Equivalent Diaphragm Radius	: 88 mm
Equivalent Mass	: 8.799g
Magnet Weight	: 1400g
Net Weight	: 3540g
Fs	: 37.26Hz
Re	: 7.2 Ohm
Mms	: 10.524 g
BL	: 9.679 TM
Qts	: 0.183
Qms	: 5.092
Qes	: 0.189
Vas	: 106.508 Ltr
Xmax	: 1.0 mm
no	: 2.814 %
Material	Frame : Fe
	Cone : PAPER
	Surround : FABRIC
	Damper : CONEX
	VC DIA : 1.3"
	Magnet : 51.3 oz



HO-SOUND INDUSTRIES CO.,LTD

E-Mail: [tsaichunchang@yahoo.com.tw](mailto:tsaichunchang@yahoo.com.tw)

Welcome Inquiry&Orders For OEM&ODM

P.10

2005/SEP