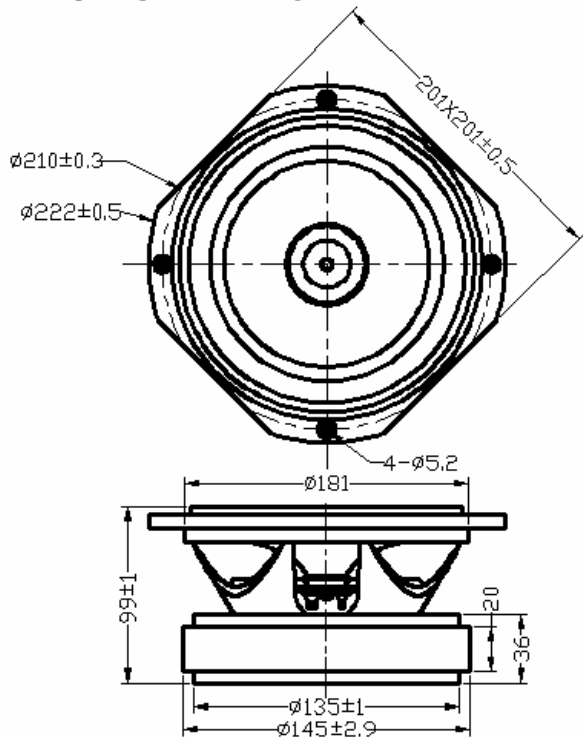


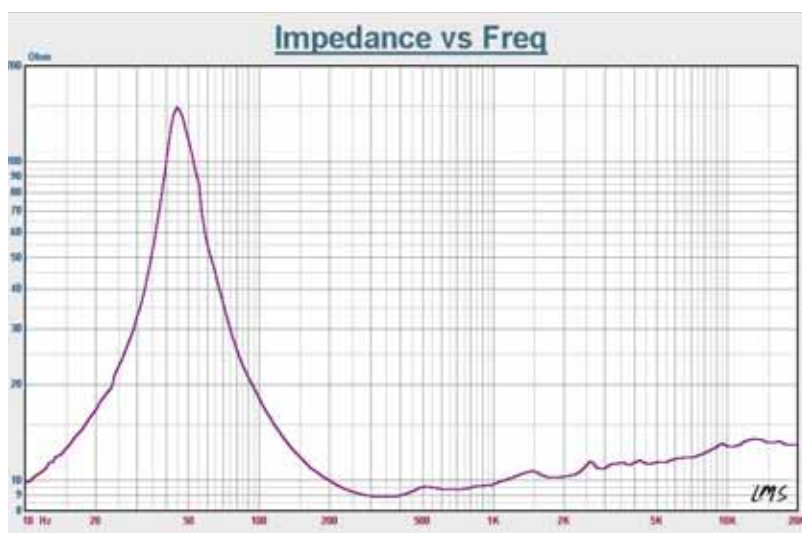
# 8" FULL RANGE

MODEL : FB202B8-17F



## Specifications & Thiele/Small Parameters

Impedance	: 8 Ohm	
Minimum Frequency Response	: 46 Hz	
Reproduction Frequency Response	: Fo~18K	
S.P.L.	: 95dB/W(m)	
Rated Input	: 30 W	
Music Power	: 50 W	
Equivalent Diaphragm Radius	: 83 mm	
Equivalent Mass	: 11.41g	
Magnet Weight	: 1455 g	
Net Weight	: 3920 g	
Fs	: 46.840 Hz	
Re	: 7.2 Ohm	
Mms	: 11.611 g	
BL	: 9.585TM	
Qts	: 0.255	
Qms	: 5.164	
Qes	: 0.268	
Vas	: 61.09 Ltr	
Xmax	: 1.0mm	
no	: 2.267%	
Material	Frame	: Cast
	Cone	: PAPER
	Surround	: CLOTH
	Damper	: CONEX
	Voice	: $\phi 35$ KSV 0.21 CCAW
	Magnet	: $\phi 145 \times \phi 50 \times 20$
	Short Ring	: Cu Cap
Canter Cap	: AL Phase Plug (Black)	



GUIDE-SOUND INDUSTRIES CO.,LTD  
 E-Mail: [Tsaichunchang@yahoo.com.tw](mailto:Tsaichunchang@yahoo.com.tw)  
 Welcome Inquiry&Orders For OEM&ODM