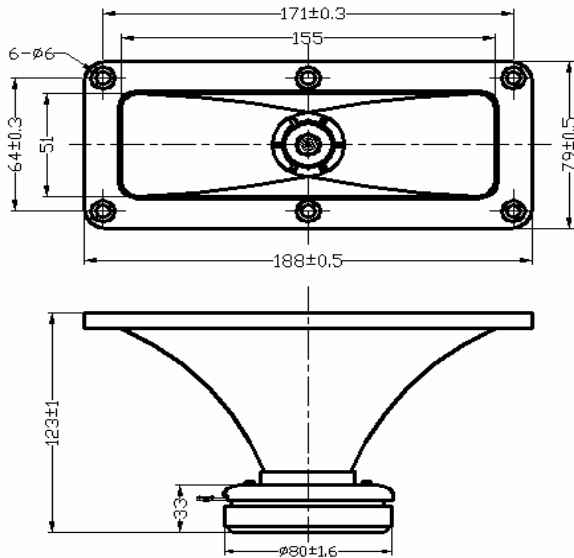


7x3" HORN TWEETER

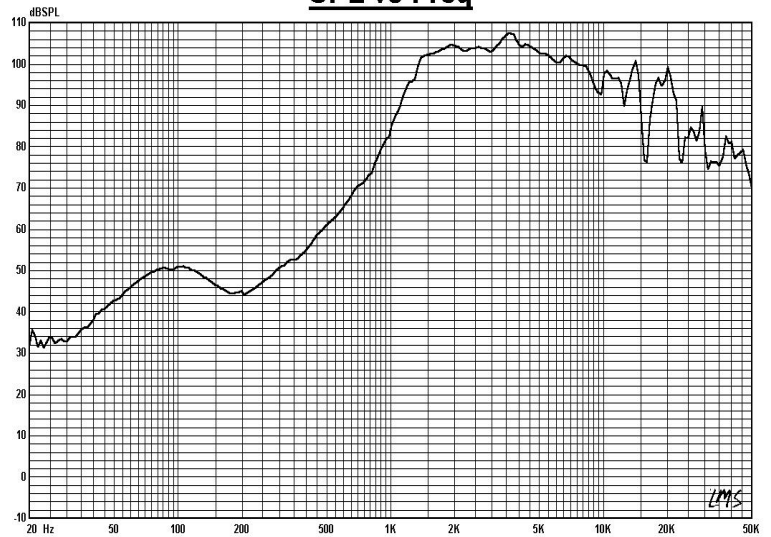
Model:HS-3024
(FB188X79B8-10T)



Specifications & Thiele/Small Parameters

Impedance	: 8 Ohm	
Minimum Frequency Response	: 2000Hz	
Reproduction Frequency Response	: Fo~20K	
S.P.L.	: 104 dB/W(m)	
Rated Input	: 35 W	
Music Power	: 50W	
Equivalent Diagram Radius	: mm	
Equivalent Mass	: g	
Magnet Weight	: 228 g	
Net Weight	: 710 g	
Fs	: 1540 Hz	
Re	: 6.8 Ohm	
Mms	: g	
BL	: TM	
Qts	:	
Qms	:	
Qes	:	
Vas	: Ltr	
no	: %	
Xmax	: 1 mm	
Material	Frame	: ABS
	Cone	: TI
	Surround	:
	Damper	:
	Voice	: 25.4 KAP
	Magnet	: 80X32X15Y25

SPL vs Freq



GUIDE-SOUND INDUSTRIES CO.,LTD

E-Mail: Tsaichunchang@yahoo.com.tw

Welcome Inquiry&Orders For OEM&ODM