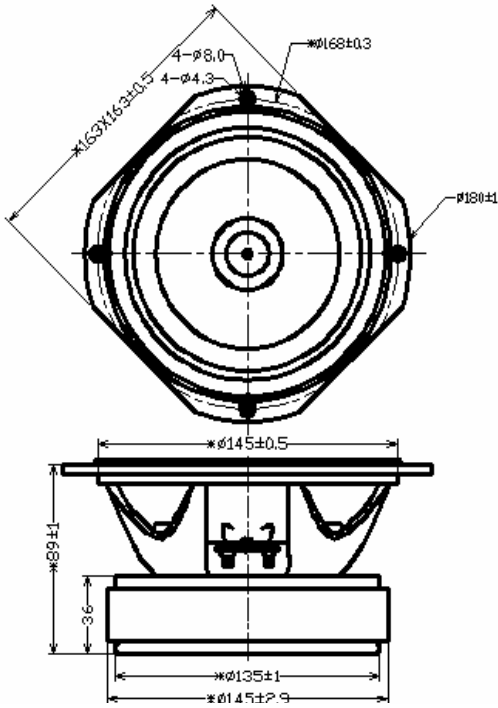


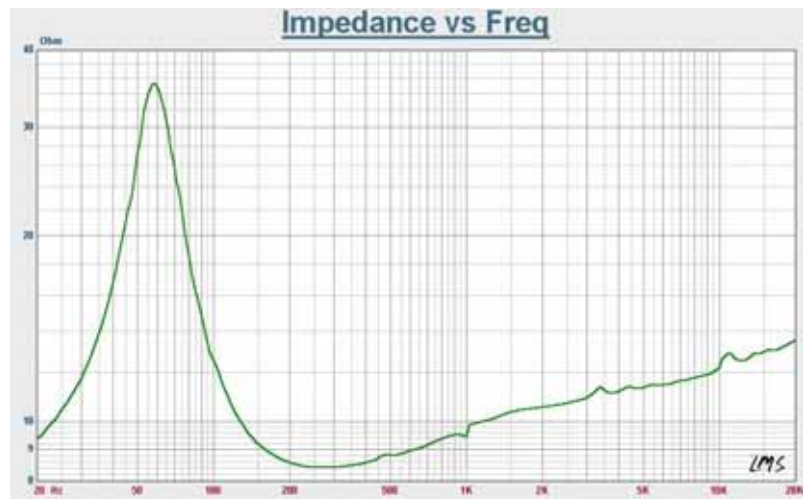
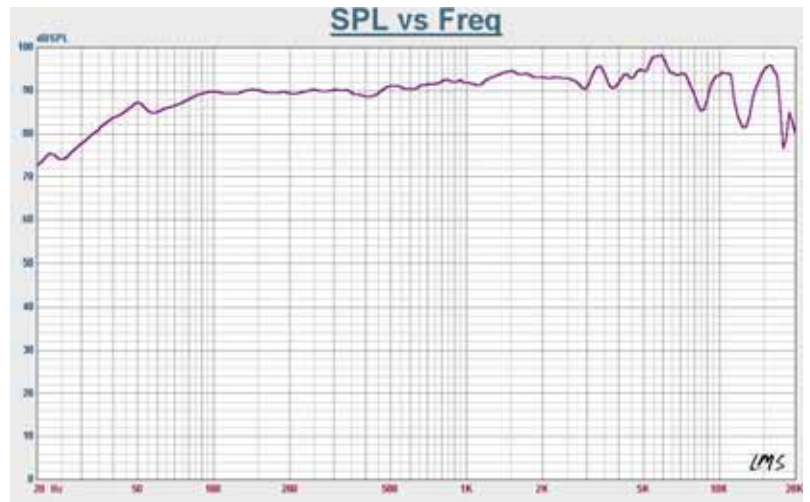
# 6" FULL RANGE

MODEL:FB163B8-11F



## Specifications & Thiele/Small Parameters

Impedance	: 8 Ohm
Minimum Frequency Response	: 58 Hz
Reproduction Frequency Response	: Fo~18K
S.P.L.	: 89dB/W(m)
Rated Input	: 30 W
Music Power	: 50 W
Equivalent Diaphragm Radius	: 65 mm
Equivalent Mass	: 10.56 g
Magnet Weight	: 1455 g
Net Weight	: 3650 g
Fs	: 58.804 Hz
Re	: 7.20 Ohm
Mms	: 8.625g
BL	: 5.547 TM
Qts	: 0.587
Qms	: 2.761
Qes	: 0.746
Vas	: 20.070Ltr
Xmax	: 1.0 mm
no	: 0.529%
Material	Frame : CAST
	Cone : Paper
	Surround : RUBBER
	Damper : CONEX
	VC DIA : 1.18 "
	Magnet : 51.3 OZ



GUIDE-SOUND INDUSTRIES CO.,LTD

E-Mail: [Tsaichunchang@yahoo.com.tw](mailto:Tsaichunchang@yahoo.com.tw)

Welcome Inquiry&Orders For OEM&ODM