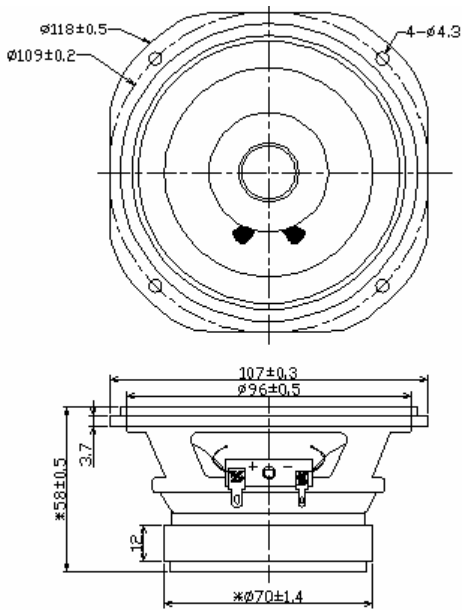


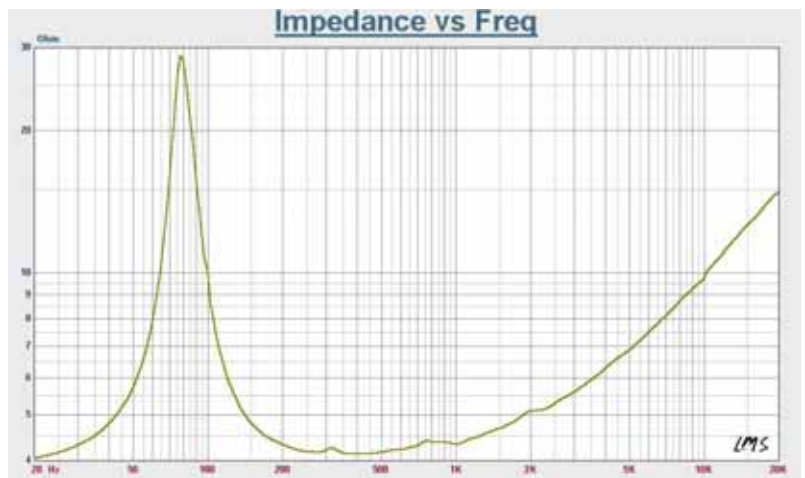
4" Full Range Speaker Unit

Model :FB107B4-11F



Specifications & Thiele/Small Parameters

Impedance	: 4 Ohm
Minimum Frequency Response	: 79Hz
Reproduction Frequency Response	: Fo~20KHz
S.P.L.	: 86.893dB/W(m)
Rated Input	: 10 W
Music Power	: 15 W
Equivalent Diaphragm Radius	: 41mm
Equivalent Mass	: 3.98 g
Magnet Weight	: 183g
Net Weight	: 580g
Fs	: 79.728 Hz
Re	: 3.6 Ohm
Mms	: 4.302 g
BL	: 2.828 TM
Qts	: 0.835
Qms	: 5.973
Qes	: 0.970
Vas	: 6.082 Ltr
Xmax	: 2.0mm
no	: 0.307%
Material	Frame : Fe
	Cone : Paper
	Surround : Foam
	Damper : Cotton
	VC DIA : 0.8"
Magnet	: 6.4 OZ



GUIDE-SOUND INDUSTRIES CO.,LTD
 E-Mail: Tsaichunchang@yahoo.com.tw
 Welcome Inquiry&Orders For OEM&ODM